



TAIVE®
BASIC COLLECTION





TAIVE®

SAUNA IN A NEW LIGHT

Sauna is a space for profound experiences,
a place in which to spend time, relaxing.
Bathing in a sauna delivers holistic enjoyment.



TAIVE®

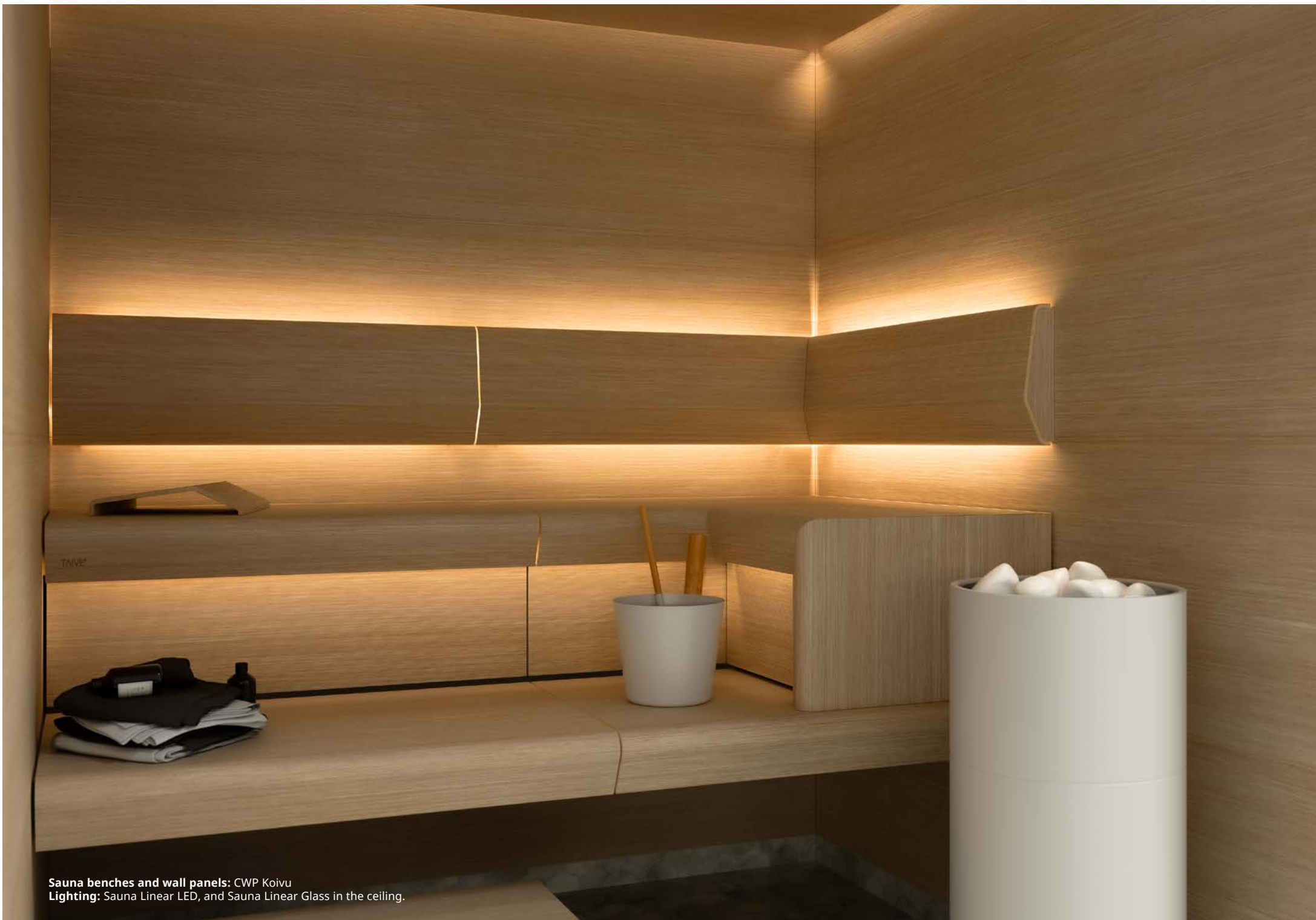
TAIVE sauna product line provides complete solutions for sauna interiors. Its smooth, elegant design creates a harmonious atmosphere in your sauna as well as other interiors in your spa. In addition, thoughtfully designed CARIITTI lighting solutions emphasize the surfaces and shapes of the materials. TAIVE interior is a timeless, long-lasting design solution that will create unforgettable sauna experiences for you and your guests.



RESPECTING HISTORY

The first Finnish saunas were built thousands of years ago, and today there are approximately 3.2 million saunas in Finland. Sauna bathing is part of everyday life and celebration, and the tradition of sauna bathing is passed on from generation to generation at these sauna moments.

This is therefore a significant form of Finnish intangible cultural heritage that is familiar to everyone and has remained almost unchanged in the midst of social changes and technological development.



Sauna benches and wall panels: CWP Koivu
Lighting: Sauna Linear LED, and Sauna Linear Glass in the ceiling.

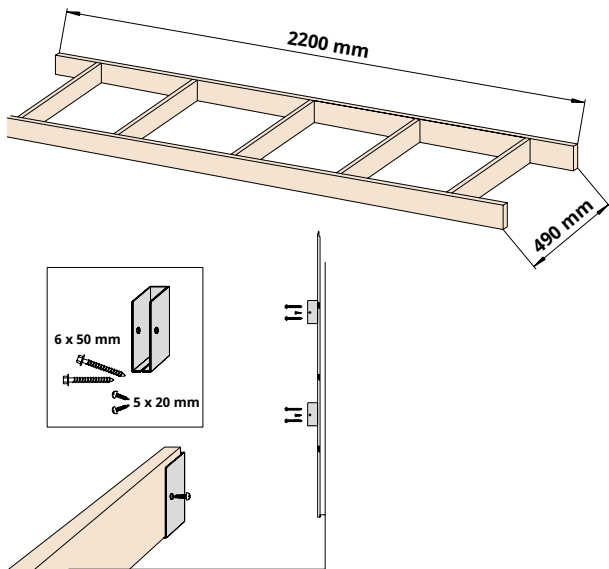


Sauna benches and wall panels: Hemlock
Lighting: Sauna Linear LED, and Sauna Linear Glass in the ceiling



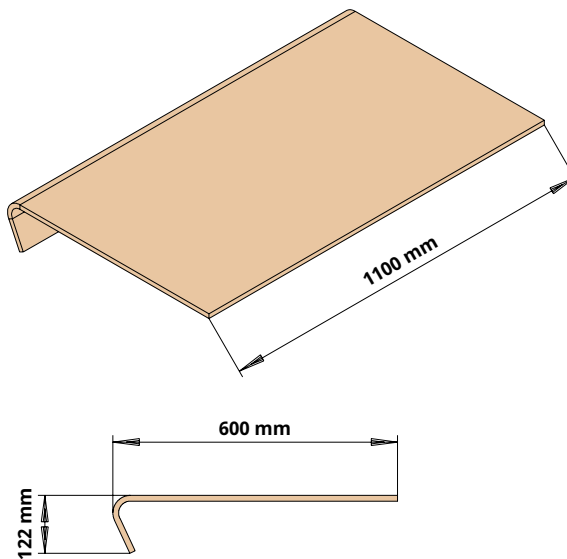
BENCH FRAME UNIT

Made of 20 mm thick birch plywood. The frame unit is delivered disassembled. The assembly is easy and quick. The unit includes brackets, 4 pcs.



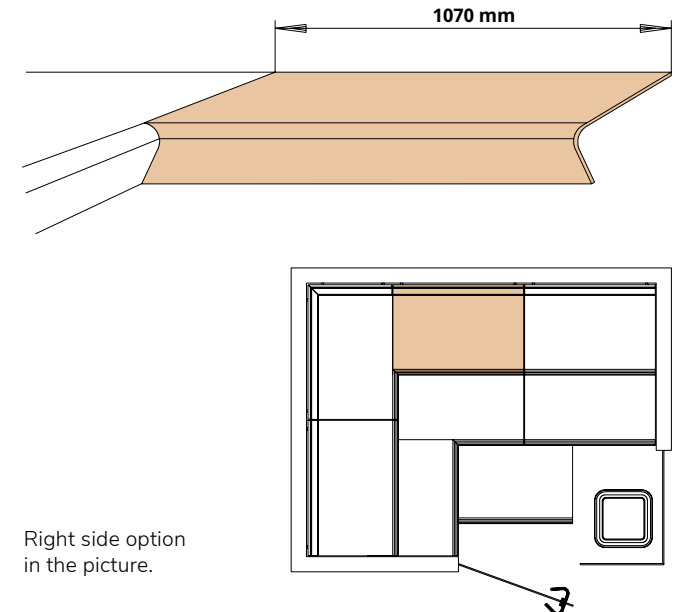
SITTING BENCH UNIT

To be installed directly on TAIVE bench frame unit.



BENCH CORNER UNIT

Ready made corner element, which fits directly to the bench unit. Both right and left side options.

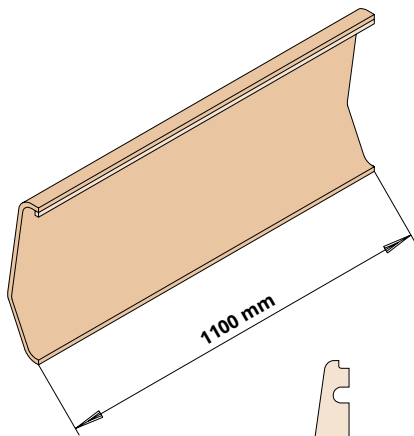


Right side option in the picture.

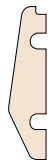


BACKREST UNIT

Ready made backrest element. The set includes all necessary assembly accessories and brackets for the backrest.



Screws, 4 pcs
5 x 60 mm

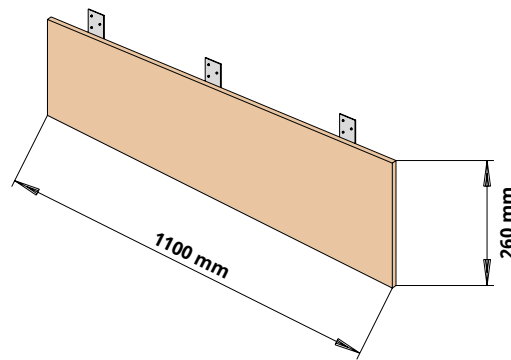


Wall bracket, 2 pcs



COVER PANEL

With cover panel you can cover the space between the upper and lower benches and also prevent objects from falling under the benches. Along with cover panel you can install Sauna Linear LED light to the front edge of the bench frame.



WALL PANELS

TAIVE wall panel is an interior panel, with all four sides tongued and specially designed to be used in a sauna. The size of the visible surface of the panel is 2400 x 280 mm and thickness 10 mm. The panel is well applicable also in other premises.

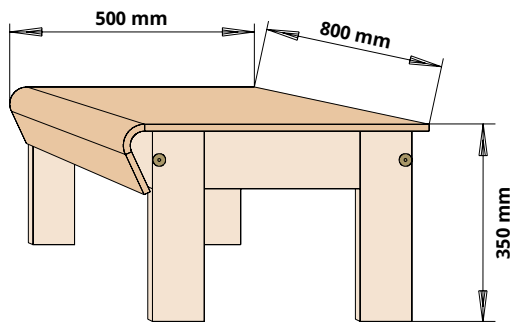


Sauna benches and wall panels: KELO and NOKI
Lighting: Sauna Linear LED, and Sauna Linear Glass in the ceiling



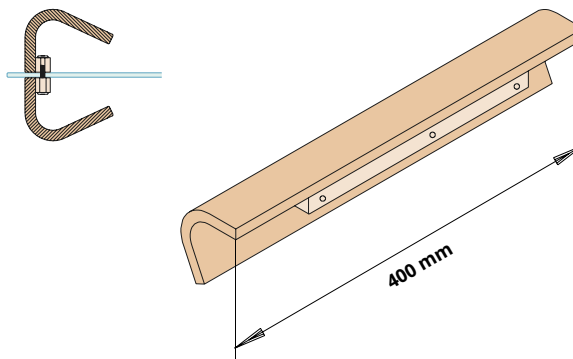
SAUNA STEP

A sturdy footstool. The cover is the same material as the sitting bench unit.



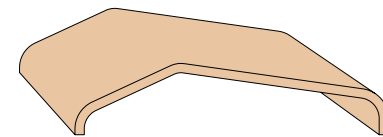
DOOR HANDLE

The same design as the front edge of the bench. The length is 400 mm. Installing to a 10 mm hole in the glass door, fastening from the middle.



HEADREST

The same profile as the backrest. Size 300 x 300 x 70 mm.





MAINTENANCE

The sitting bench and backrest units are easily removable for washing, as are the lower bench units.

The products of the Basic Collection are always delivered untreated but we recommend to treat them with Tikkurila sauna wax, for example. The treatment protects the wood from moisture and above all from dirt. It is easier to keep the treated benches clean.



The sitting bench units can be removed, only the frame remains. It makes the cleaning easy.



The construction of the bench brackets prevents any creaks.

AS OUR CUSTOMER, YOU WILL RECEIVE A SOLUTION THAT MEETS YOUR NEEDS

We recommend to finish the surfaces with sauna wax, which results a beautiful, timeless and long-lasting sauna.



BASIC COLLECTION COLOURS



HEMLOCK



KOIVU (CWP)



KELO (CWP)

OTHER COLOURS



If desired, you can finish the sitting bench units and wall panels with sauna wax. We recommend to spread sauna wax with a sponge for an even end result. Dust has to be removed from the surface before the wax treatment, using a soft brush, for example.

Samples of the standard colours, used by Cariitti, see beside.



KUURA
CWP KOIVU with white transparent sauna wax.



KAARNA
CWP KOIVU with brown transparent sauna wax.



NOKI
CWP KOIVU with black transparent sauna wax.



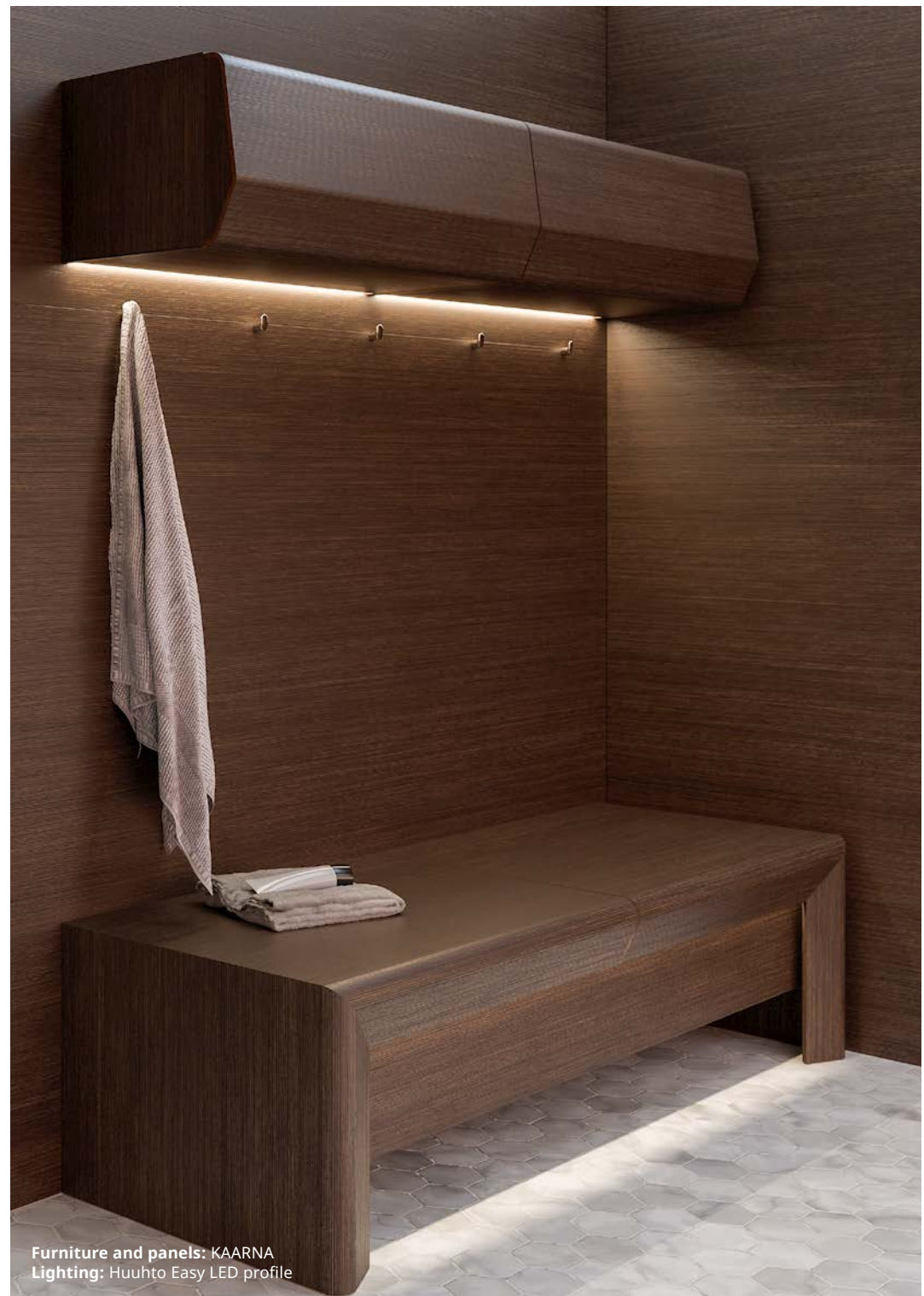
Furniture and panels: HEMLOCK
Lighting: HUUHTO Easy LED profile

CUSTOM-MADE DRESSING ROOM FURNITURE

TAIVE dressing room modules are equal to TAIVE sauna benches which will make the interior design of the spa area harmonious and beautiful. You can choose a dressing room bench with or without a storage box, with various end module options, according to dimensions. With HUUHTO Easy lighting profiles you can complete the design.

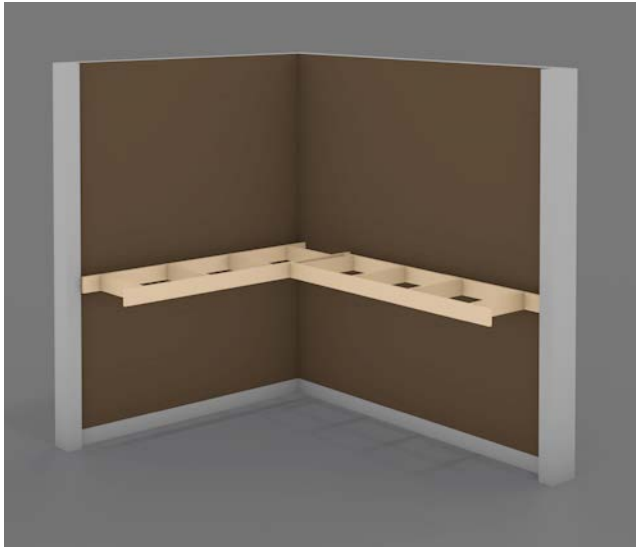


Furniture and panels: HEMLOCK
Lighting: HUUHTO Easy LED profile



Furniture and panels: KAARNA
Lighting: HUUHTO Easy LED profile

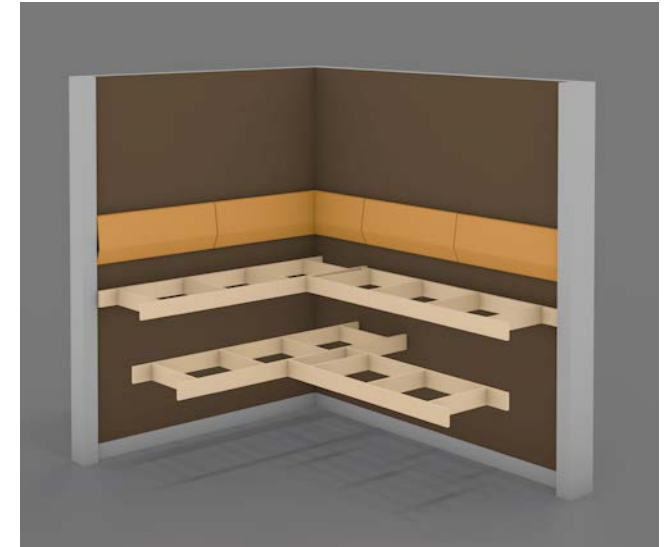
TAIVE® SAUNA BENCH - SAMPLE INSTALLATION



1. Upper bench: Bench frame unit, 2 pcs



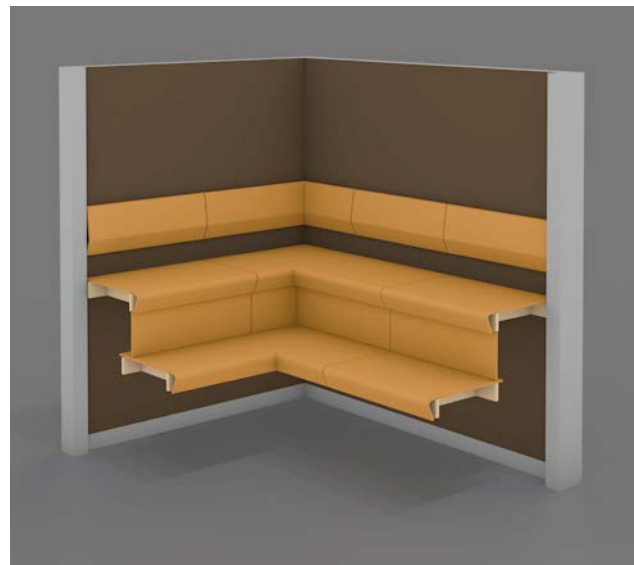
2. Backrest: Backrest unit, 5 pcs



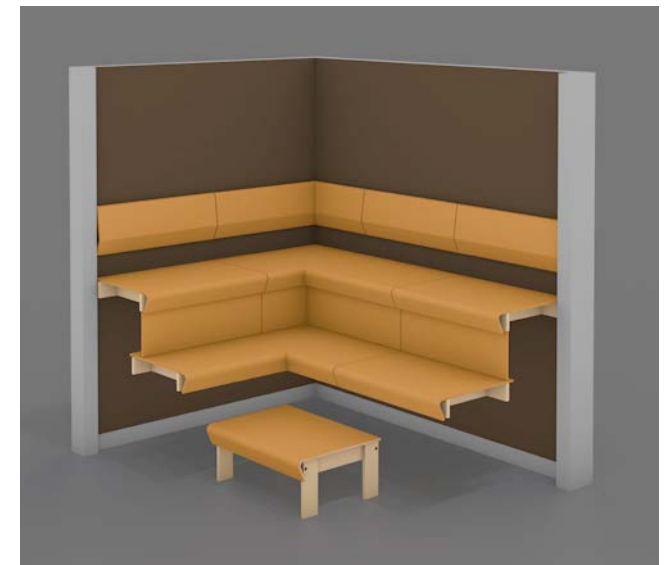
3. Lower bench: Bench frame unit, 2 pcs



4. Sitting bench: Sitting bench unit, 3 pcs,
and Bench corner unit (right), 1 pc
Cover panel: 4 pcs



5. Sitting bench:
Sitting bench unit, 2 pcs, and
Bench corner unit (right), 1 pc



6. Sauna step: 1 pc



HEMLOCK



KOIVU



KELO

TAIVE ELEMENTS	CODE	CODE	CODE
BENCH FRAME UNIT	1603100	1603100	1603100
SITTING BENCH UNIT	1603147	1603130	1603129
BENCH CORNER UNIT, RIGHT	1603149	1603133	1603131
BENCH CORNER UNIT, LEFT	1603150	1603134	1603132
BACKREST UNIT	1603148	1603136	1603135
COVER PANEL	1603142	1603124	1603123
WALL PANEL	1603076	1603053	1603052
SAUNA STEP	1603141	1603126	1603125
DOOR HANDLE	1603139	1603121	1603115
HEADREST	1603140	1603128	1603127

Cariitti.

Cariitti Oy
Niittyrinne 2B, FI-02270 Espoo, FINLAND
Tel. +358 9 221 9040, sales@cariitti.com
www.cariitti.com